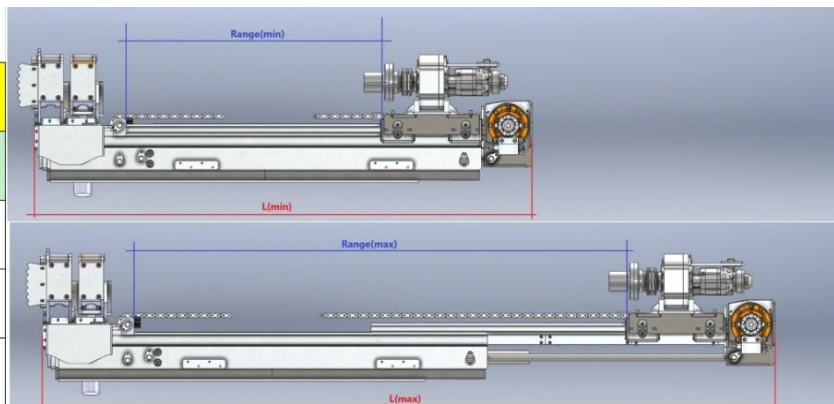


This mast has the unique characteristic of changing the stroke length like a telescopic mast but the major difference from what you normally find in the market is when we start feeding we do not have to first close the telescopic section and second use the cradle feed.

When we open our mast at the desired length ( *in the range of the mast* ) we then feed as normal.

## S200VS

cylinder range	Dimension		Range	
	Lmin	Lmax	Range min	Range max
700	1900	2600	750	1450
1100	2300	3400	1150	2250
1600	2800	4400	1650	3250



## S300VS

cylinder range	Dimension		Range	
	Lmin	Lmax	Range min	Range max
700	2200	2900	750	1450
1100	2600	3700	1150	2250
1600	3100	4700	1650	3250
2100	3600	5700	2150	4250

