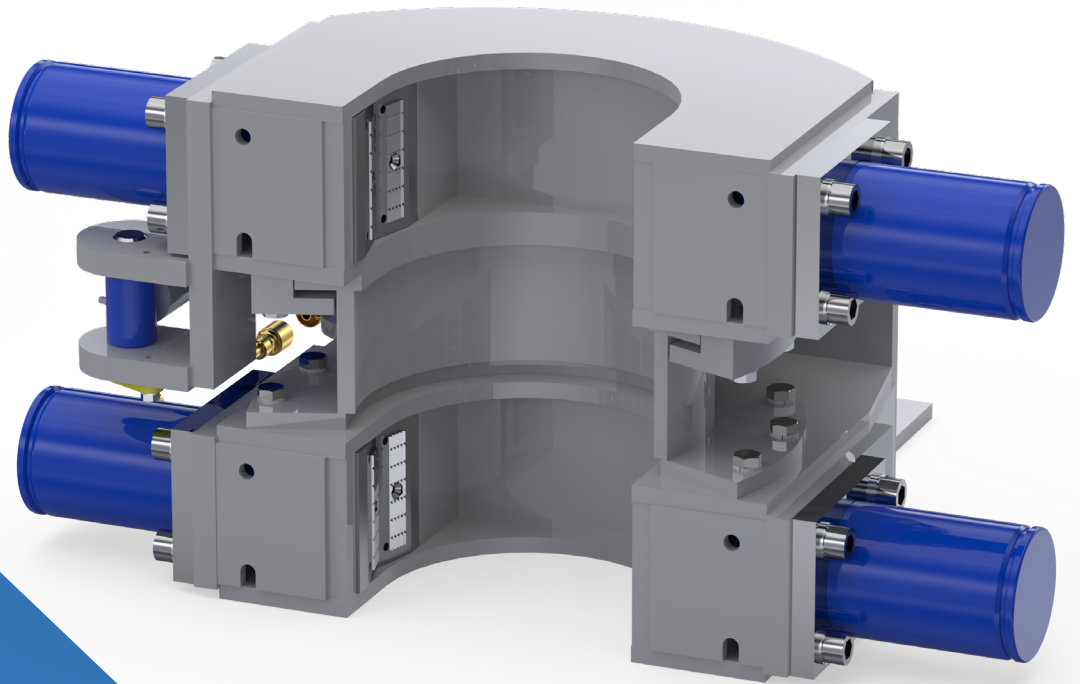




The Driller's Choice



DOUBLE BREAKOUT CLAMPS

ADVANCED CLAMPING SYSTEMS



DOUBLE BREAKOUT CLAMPS

A max 8.8" ID for casings and min 2.5" ID for drill rods. The Double Breakout Clamps come with a top hydraulic breakout cylinder set of jaws and a bottom set of fixed grip jaws. The grip jaws have hardened steel grip 'teeth' to securely hold casings and rods. Capable of gripping and breaking out even the toughest casings.

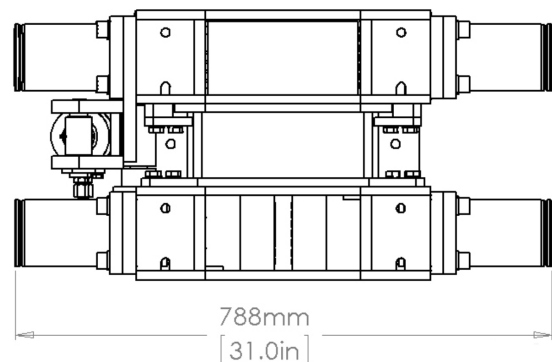
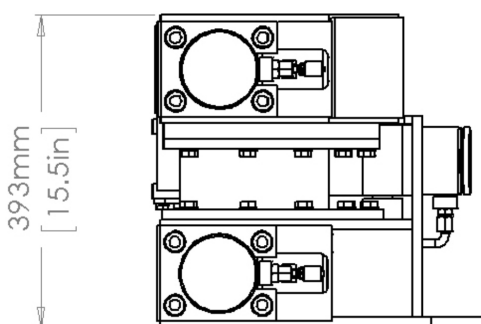
SPECIFICATIONS

Clamp Specifications

| | IMPERIAL | METRIC |
|-------------------------------|---------------|------------|
| WEIGHT | 309 lbs | 140 kg |
| MAX ID (TOP & BOTTOM) | 8.8" | 223 mm |
| MIN ID (TOP & BOTTOM) | 1.56" | 40 mm |
| GRIPPING FORCE (TOP & BOTTOM) | 50,000 lbs | 22,700 kgf |
| BREAKOUT TORQUE (TOP) | 22,600 ft.lbs | 30,650 Nm |

Operating Specifications

| | IMPERIAL | METRIC |
|--------------------|-------------------------------------|----------|
| PRESSURE | 2,900 psi | 200 bar |
| FLOW | 3.5 gpm | 13 l/min |
| MOUNT TYPE | 8-Bolt Back/Bottom Plate | |
| CYLINDERS INCLUDED | 5 – Top & Bottom Clamps + Breakout. | |





The Driller's Choice

MINCON INC
603 Centre Ave NW, Roanoke,
VA 24016, USA
T. +1 540-344-9939
E. salesusa@mincon.com
W. mincon.com

AMERICAS REGION · EUROPE AND MIDDLE EAST REGION · AFRICA REGION · ASIA PACIFIC REGION