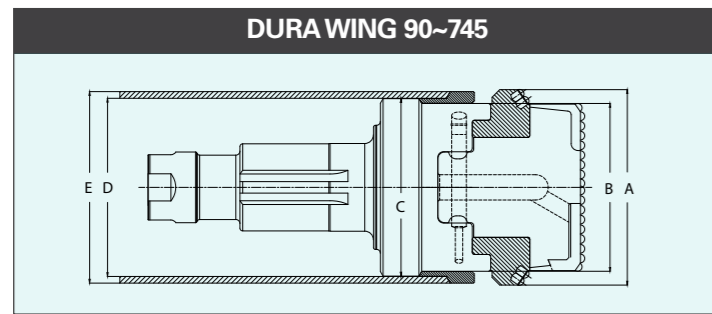


DURA WING SIZE CHART



| PRODUCT | UNIT | SHOULDER TYPE | EXTENDED O.D. | | PILOT O.D. | | SHOULDER O.D. | | CASING | | SHANK TYPE |
|---------------|------|---------------|---------------|-------|------------|-------|---------------|--|------------|--|------------|
| | | | A | B | C | D | E | I.D. (MIN) | O.D. (MAX) | | |
| DURA WING 90 | mm | SHOULDER | 119 | 91 | 91 | 101.6 | 120 | IF3.5 | | | |
| | | SHOULDER LESS | 4.69 | 3.58 | 3.98 | 4.00 | 4.72 | | | | |
| DURA WING 110 | mm | SHOULDER | 142 | 110 | 110 | 118.7 | 140 | SD4,QL40,DHD340, MACH44,M40 | | | |
| | | SHOULDER LESS | 5.59 | 4.33 | 4.67 | 4.71 | 5.51 | | | | |
| DURA WING 115 | mm | SHOULDER | 146 | 115 | 115 | 126 | 146 | SD4,QL40,DHD340, MACH44,M40 | | | |
| | | SHOULDER LESS | 5.75 | 4.53 | 4.92 | 4.98 | 5.71 | | | | |
| DURA WING 129 | mm | SHOULDER | 164 | 129 | 129 | 137.5 | 159 | SD4,SD5,QL40,QL50,DHD340, DHD360,MACH44,MACH50, M40,M50,MC55 | | | |
| | | SHOULDER LESS | 6.46 | 5.08 | 5.41 | 5.47 | 6.26 | | | | |
| DURA WING 140 | mm | SHOULDER | 181 | 140 | 140 | 152 | 178 | SD5,QL50,DHD350, MACH50,MC55,M50 | | | |
| | | SHOULDER LESS | 7.13 | 5.51 | 5.98 | 6.03 | 7.01 | | | | |
| DURA WING 147 | mm | SHOULDER | 190 | 147 | 147 | 157 | 185 | SD5,QL50,DHD350, MACH50,MC55,M50 | | | |
| | | SHOULDER LESS | 7.48 | 5.79 | 6.18 | 6.22 | 7.28 | | | | |
| DURA WING 152 | mm | SHOULDER | 194 | 152 | 152 | 162 | 193 | SD5,QL50,DHD350, MACH50,MC55,M50 | | | |
| | | SHOULDER LESS | 7.64 | 5.98 | 6.38 | 6.46 | 7.59 | | | | |
| DURA WING 165 | mm | SHOULDER | 208 | 167 | 167 | 178 | 205 | SD6,QL60,DHD360,M60 | | | |
| | | SHOULDER LESS | 8.19 | 6.57 | 6.97 | 7.04 | 8.07 | | | | |
| DURA WING 190 | mm | SHOULDER | 237 | 190 | 190 | 201.5 | 227 | SD6,QL60,DHD360,M60 | | | |
| | | SHOULDER LESS | 9.33 | 7.48 | 7.93 | 7.96 | 8.94 | | | | |
| DURA WING 240 | mm | SHOULDER | 292 | 240 | 240 | 253 | 280 | SD8,DHD380,QL80 | | | |
| | | SHOULDER LESS | 11.50 | 9.45 | 9.96 | 10.02 | 11.06 | | | | |
| DURA WING 280 | mm | SHOULDER | 340 | 280 | 280 | 300 | 328 | SD10,QL80 | | | |
| | | SHOULDER LESS | 13.39 | 11.02 | 11.81 | 11.89 | 12.91 | | | | |
| DURA WING 315 | mm | SHOULDER | 373 | 318 | 318 | 334 | 360 | SD12,QL120 | | | |
| | | SHOULDER LESS | 14.69 | 12.52 | 13.15 | 13.25 | 14.17 | | | | |
| DURA WING 365 | mm | SHOULDER | 425 | 365 | 365 | 386 | 412 | SD12,QL120 | | | |
| | | SHOULDER LESS | 16.73 | 14.37 | 15.20 | 15.25 | 16.22 | | | | |
| DURA WING 410 | mm | SHOULDER | 478 | 412 | 412 | 433 | 463 | SD15,QL120 | | | |
| | | SHOULDER LESS | 18.82 | 16.22 | 17.05 | 17.13 | 18.23 | | | | |
| DURA WING 460 | mm | SHOULDER | 530 | 460 | 460 | 480 | 515 | SD15,SD18,N180 | | | |
| | | SHOULDER LESS | 20.87 | 18.11 | 18.90 | 19.00 | 20.28 | | | | |
| DURA WING 510 | mm | SHOULDER | 580 | 510 | 510 | 531 | 562 | SD15,SD18, QL200,N180 | | | |
| | | SHOULDER LESS | 22.83 | 20.08 | 20.91 | 21.00 | 22.13 | | | | |
| DURA WING 560 | mm | SHOULDER | 630 | 560 | 560 | 580 | 612 | SD18,N180,N240 | | | |
| | | SHOULDER LESS | 24.80 | 22.05 | 22.83 | 23.00 | 24.09 | | | | |
| DURA WING 600 | mm | SHOULDER | 685 | 600 | 600 | 628 | 667 | QL200,N240 | | | |
| | | SHOULDER LESS | 26.97 | 23.62 | 24.72 | 24.87 | 26.26 | | | | |
| DURA WING 650 | mm | SHOULDER | 737 | 650 | 650 | 676 | 719 | QL200,N240 | | | |
| | | SHOULDER LESS | 29.02 | 25.59 | 26.61 | 26.74 | 28.31 | | | | |
| DURA WING 745 | mm | SHOULDER | 842 | 745 | 745 | 776 | 822 | N240 | | | |
| | | SHOULDER LESS | 33.15 | 29.33 | 30.55 | 30.74 | 32.36 | | | | |

* Shoulder less type is for dual rotary rigs.
 * Casing information (I.D. and O.D) is necessary for ordering.
 * Other size can be manufactured upon request.

MINING AND CONSTRUCTION DRILLING PRODUCTS



TOP HAMMER DRILL RIGS



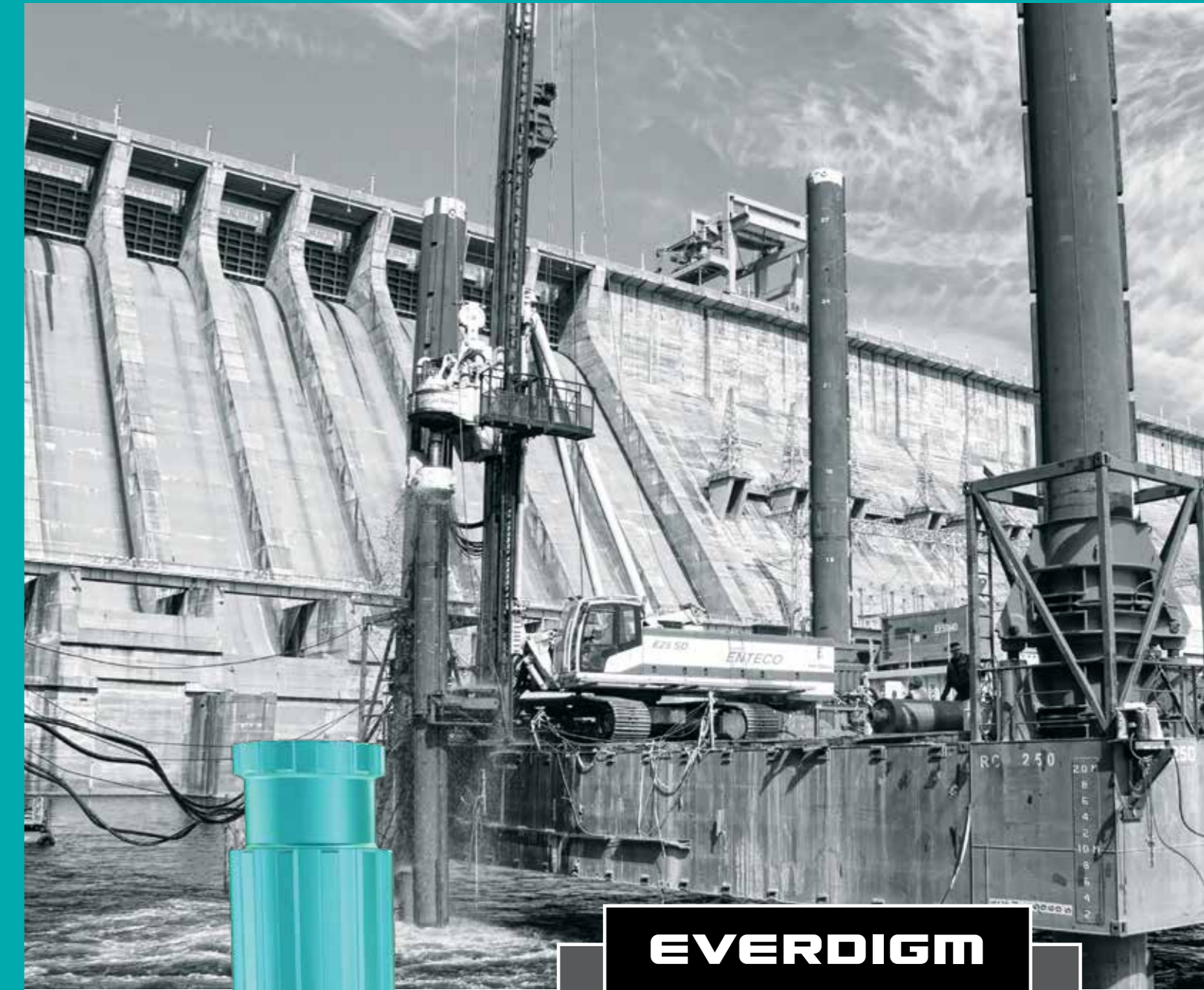
DOWN THE HOLE DRILL RIGS



TOP HAMMER CONSUMABLES



DOWN THE HOLE HAMMERS AND BITS



EVERDIGM

DURAWING

CONCENTRIC OVERBURDEN SYSTEM



EVERDIGM

Sales & Marketing

Room#1203, WoolimLion's Valley2,
 2 Gasan digital 1-ro, Geumcheon-gu Seoul, Korea
 Tel +82-2-801-0833 Fax +82-2-801-0899
 Email Drill@everdigm.com

Head office & Factory

49, Buyeong-gil, Jincheon-eup, jincheon-gun,
 Chungcheongbuk-do, Korea
 Tel +82-43-530-3300 Fax +82-43-530-3426

YouTube www.youtube.com/user/everdigm01

facebook www.facebook.com/everdigmCo

APPLICATION EXAMPLES

LARGE FOUNDATION PILING



ANCHORING / MICRO PILING



WATERWELL / GEOTHERMAL

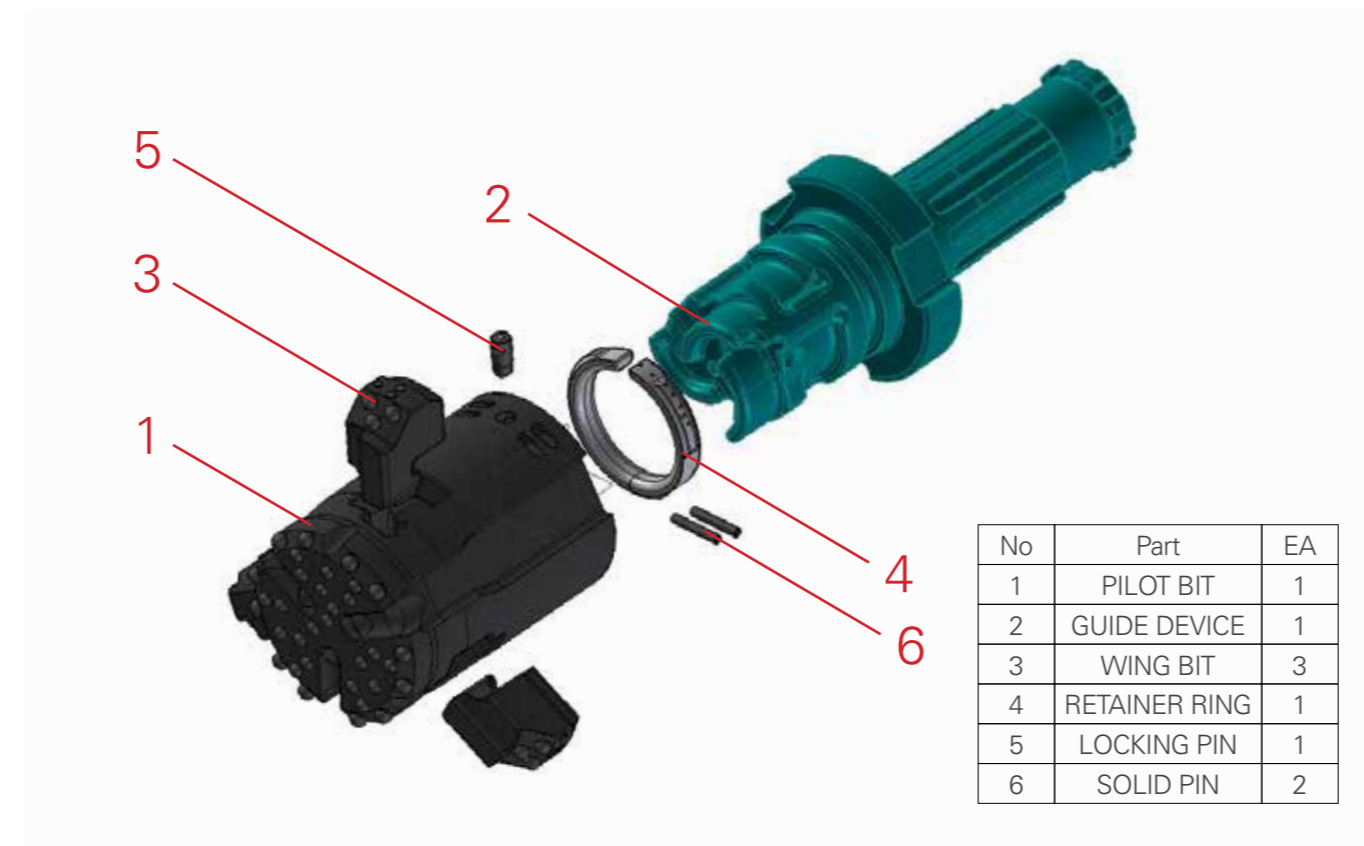


TUNNELING / ROOF PILING

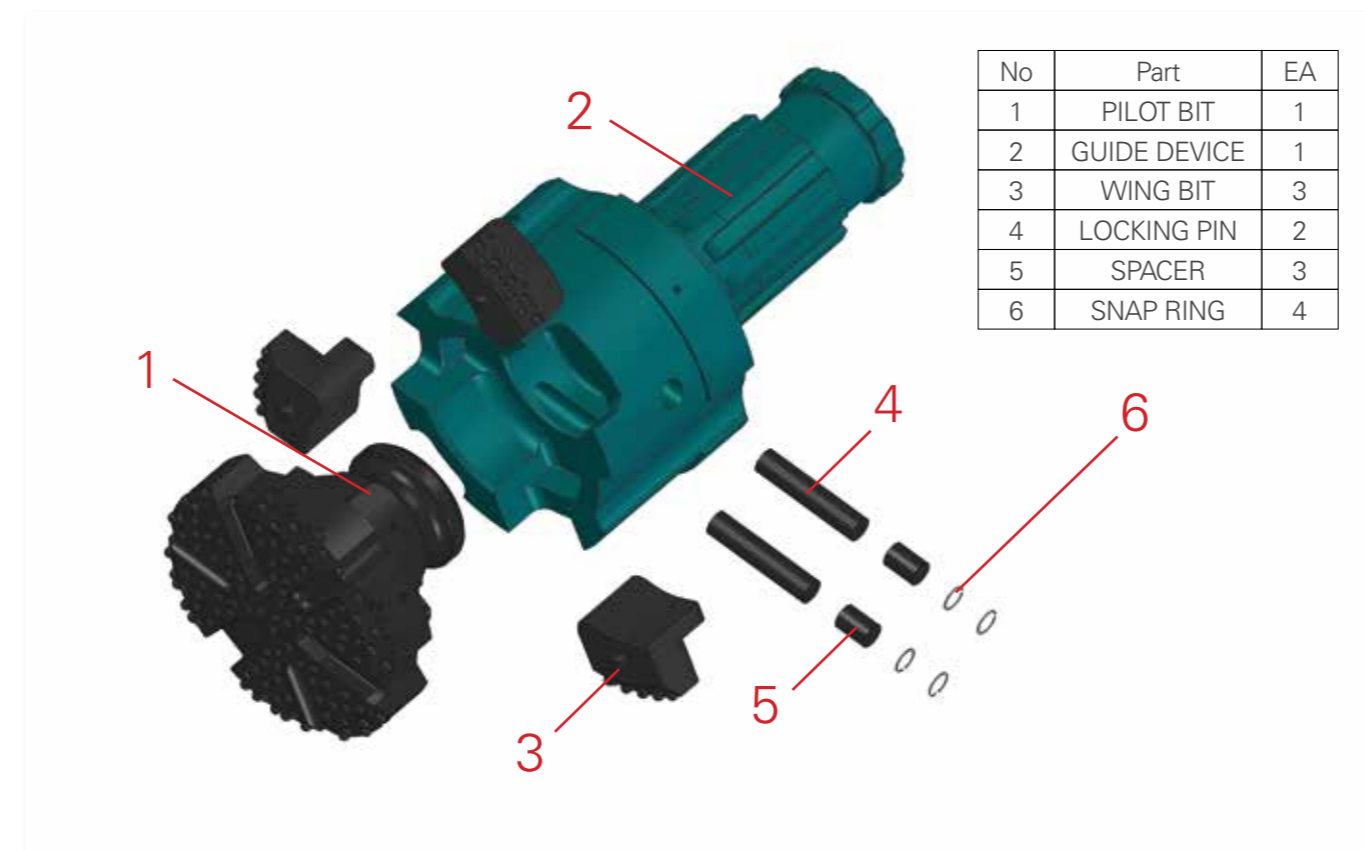


COMPONENT

1) SISTYPE : [EDW090~EDW180]



2) SUSTYPE : [EDW90~EDW745]



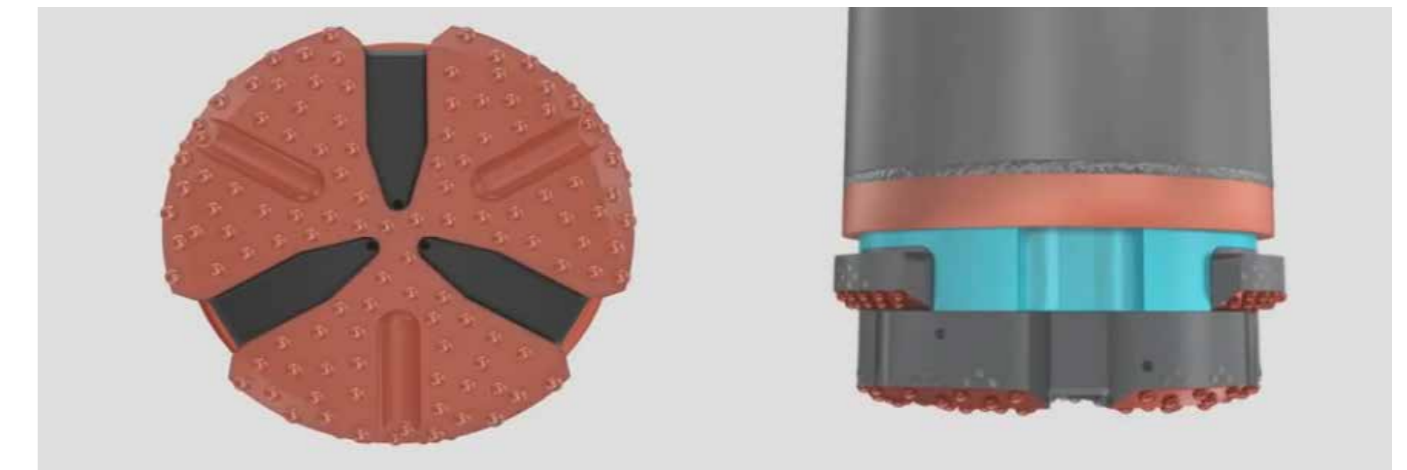
FEATURES

1) EFFICIENCY



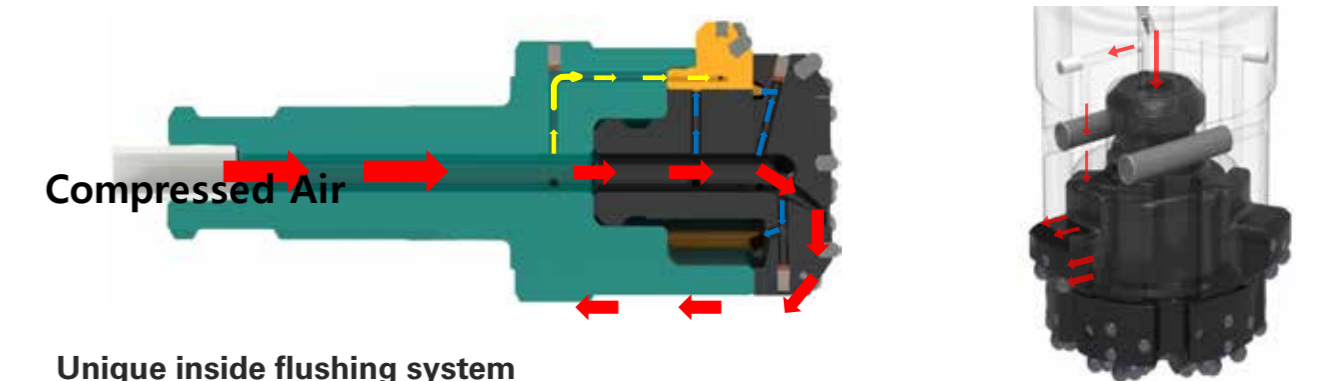
- Low running cost by replacing only worn parts.
- Fewer parts, Longer life.
- Easy maintenance.

2) FULL FACE



- DURAWING with full face has outstanding performance references at regardless of ground condition.
- Concentric design allows DURAWING constant horizontal/vertical drilling.

3) AIR FLUSHING



- Unique inside flushing system
- Ensures improved work outcomes.
- Prevents contaminants coming into inside.
- Discharges sludge.
- Cooling of contacted parts